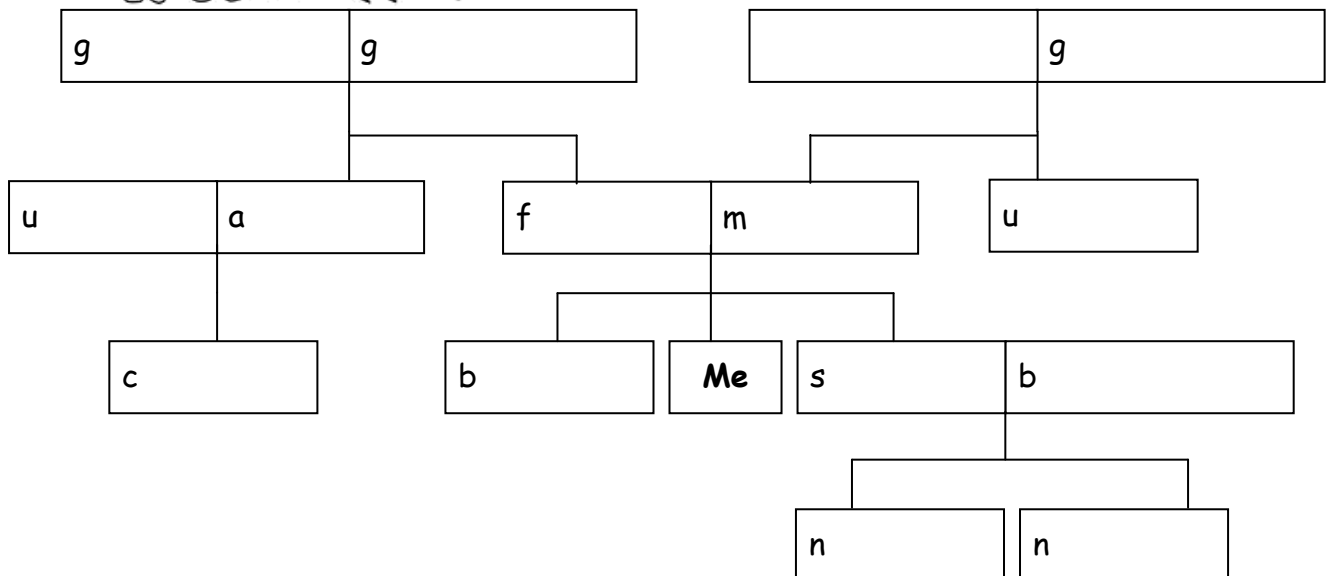


# Vocabulary Worksheet: My Family

1. If I have a baby girl, she'll be my .....
2. My son calls me .....
3. My mother is my father's .....
4. My father is my mother's .....
5. My father has one sister. She's my .....
6. My mother has one brother. He's my .....
7. My grandfather is married to my .....
8. My grandparents call me their .....
9. My aunt's husband is my .....
10. My sister is married. Her husband is my .....
11. My sister has two children, a boy and a girl. Her son is my .....  
and her daughter is my .....
12. My uncle and aunt's children are my .....
13. When I get married, my partner's mother will be my .....
14. My father has remarried. His new wife is my .....
15. When I break up with my boyfriend (girlfriend), (s)he'll be my .....



Family Tree



# Answer Key: My Family

16. If I have a baby girl, she'll be my **daughter**.
17. My son calls me **father (or mother)**.
18. My mother is my father's **wife**.
19. My father is my mother's **husband**.
20. My father has one sister. She's my  **aunt**.
21. My mother has one brother. He's my **uncle**.
22. My grandfather is married to my **grandmother**.
23. My grandparents call me their **grandchild/grandson/granddaughter**.
24. My aunt's husband is my **uncle**.
25. My sister is married. Her husband is my **brother-in-law**.
26. My sister has two children, a boy and a girl. Her son is my **nephew** and her daughter is my **niece**.
27. My uncle and aunt's children are my **cousins**.
28. When I get married, my partner's mother will be my **mother-in-law**.
29. My father has remarried. His new wife is my **stepmother**.
30. When I break up with my boyfriend (girlfriend), (s)he'll be my **ex-boyfriend/GF**.



Family Tree

